



## FIPS 140-2 Wireless Access Point



### FIPS 140-2 WAP/WLAN/Repeater

The miniature TLC FIPS 140-2 WAP/WLAN/Repeater is a Linux Network Processor based on the Cavium chipset is targeted for small form factor with indoor-outdoor enclosure. It is ideal for lightweight, low power embedded applications such as Man Portable Units (MPUs), Automatic Meter Reading (AMR) equipment and remote sensor networks. TLC uses a high performance ARM11 SoC coupled with a PCI Express Mini Card socket to provide support for a wide variety of current and next generation radio modules.

Preloaded with TLC FIPS 140-2 certified security software and web management interface, these modules include 802.11a/b/g, 802.11n, or 4G. Supports Mesh or P2MP topologies. Other peripherals include a Gigabit Ethernet port and the System Controller for providing embedded features such as real time clock with battery backup, voltage and temperature monitoring, digital I/O, configuration EEPROM, and programmable board shut-down and wakeup for remote sensor applications.

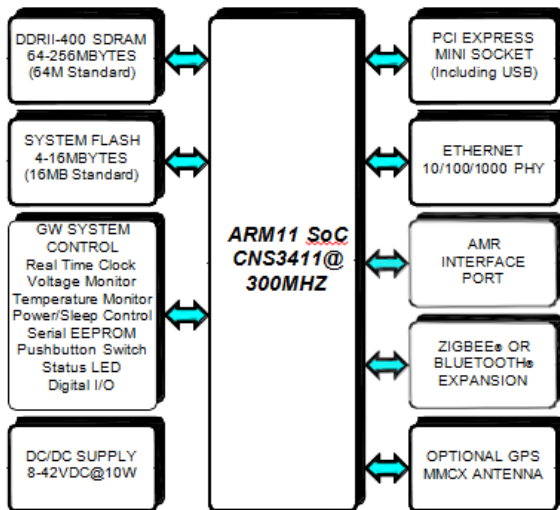
The TLC WAP also features USB or dedicated 10-pin AMR serial connector to act as repeater to support utility meters based upon ANSI C12.18, C12.19, and C12.21 protocols.

The -40 to +85C operating temperature range is ideally suited for harsh and severe outdoor environments. Optional features include a GPS Receiver for location services. An OpenWRT board support package is included for Linux operating systems.

## Features and Benefits

- ***Integrated TLC FIPS 140-2 security***
- Cavium® CNS3411 300MHz ARM11 SoC
- 64Mbytes DDRII-400 SDRAM Memory
- 16Mbytes Flash System Memory
- PCI Express Mini Card Socket Includes USB Support
- 10/100/1000 Base-TX Ethernet Channel
- Real Time Clock with Battery Backup
- Voltage and Temperature Monitor
- 8Kbits Serial EEPROM
- TTL Serial Port
- Programmable Watchdog Timer
- JTAG with Serial Console
- Optional AMR Interface Connector (GE I210+) or USB
- Zigbee® and Bluetooth® Expansion Connector
- 2W @ 25C Typical Operating Power
- 7W Available for PCI Express Mini Card
- 8 to 42VDC Input Voltage - Passive PoE or 2-pin Connector
- Small 35 x 87mm Form Factor
- -40 C to +85 C Operating Temperature
- Optional GPS Receiver with MMCX Antenna Connector
- OpenWRT Linux Board Support Package
- 1 Year Warranty

## Internal Functional Diagram



## Specifications

### Electrical

- Input Voltage  
8 to 42VDC  
Optional Universal AC Input  
Module 90-264VAC @ 50/60Hz
- Operating Current  
0.08A Typical @ 24VDC (no PCIe card @ 25C)  
0.13A Typical @ 24VDC (no PCIe card @ 85C)

### Mechanical

- Dimensions  
3.43 x 1.38 x 0.87in (87.0 x 35.0 x 22.0mm)
- Weight  
1 oz (28g)

### Environmental

- Operating Parameters  
Temperature: -40 C to +85 C  
Humidity (non-condensing): 20% to 90%  
MTBF: To Be Determined
- Storage Parameters  
Temperature: -40 C to +85 C  
Humidity (non-condensing): 5% to 95%

For more information,  
contact TLC Secure:  
+1 (888) 994-9145  
+1 (408) 400-3660  
[sales@tlcsecure.com](mailto:sales@tlcsecure.com)  
[www.tlcsecure.net](http://www.tlcsecure.net)

